



Catalogue
LAUNDRY
Chapter
IRONING AND FOLDING

Model
P-25/140 M E 400V 3N 50Hz

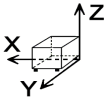
19074647

19/02/2020

WALL IRONER, P-25/140 M E

- Wall mounted and small in size, they can be positioned in very limited spaces and require hardly any installation since they do not have any kind of exhaust or connection, except to the electric current.
 - Unit exterior in stainless and lacquered steel.
 - Anodised aluminium bucket.
 - Front loading and unloading.
 - Safety protector for hands.
 - Electronic microprocessor for temperature regulation.
 - Safety thermostat.
 - Electric heating system.
 - Automatic movement of the tray.
 - Anodised aluminium tray Roller manufactured in polyester.
 - Tray roller NOMEX in option.
- "Note: You are recommended to insert the linen with a moisture level of between 20 and 25%."

DIMENSIONS



X Width	1962 mm	X Gross width	1862 mm
Y Depth	540 mm	Y Gross depth	423 mm
Z Height	1140 mm	Z Gross height	986 mm
Net Weight	107,0 kg	Gross Weight	134,0 kg
Net volume	1,200 m ³	Gross volume	0,777 m ³

ELECTRICITY TECHNICAL SPECIFICATIONS

Engine power	0,18 kW
Electric power	7,180 kW
Amperage (A)	20A
Heating power	7,00 kW
Voltage	400V - 3N
Electric frequency	50Hz

CONNECTIONS TECHNICAL SPECIFICATIONS

230 V three-phase wiring	4 X 4 / 20A
Single-phase 230V wiring	4 X 10 / 40A
Three-phase +N 400V wiring	5 X 2,5 / 16A

OTHERS

Roller length in cm	140,00 cm
Roller diameter	250 mm
Production 20-25 % moisture	40 kg/h
Operational speed	4,20 m/min
Noise level	55,00 dB



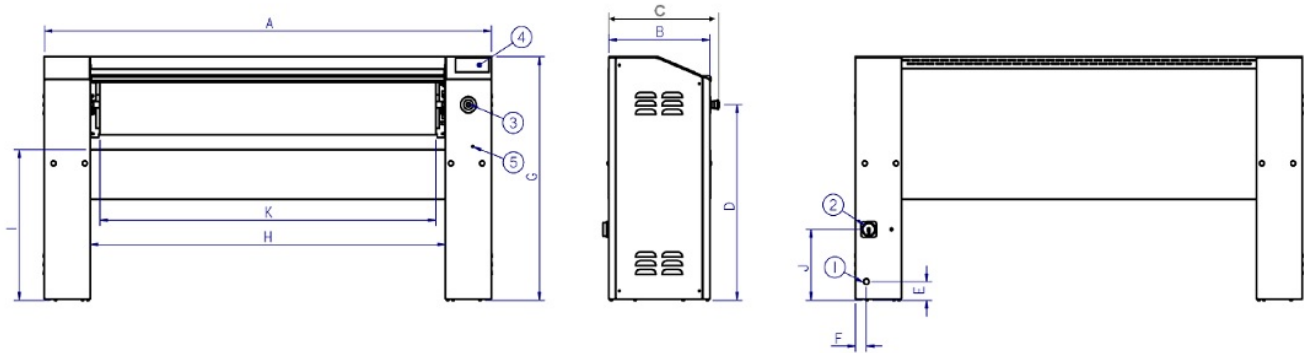
Catalogue
LAUNDRY

Chapter
IRONING AND FOLDING

Model
P-25/140 M E 400V 3N 50Hz

19074647

19/02/2020



- 01. Conexión eléctrica
- 02. Main switch
- 03. Parada de emergencia
- 04. Panel de control
- 05. Acceso inverter mantenimiento

- 01. Electrical connection
- 02. Main switch
- 03. Emergency stop
- 04. Control panel
- 05. access to inverter maintenance

- 01. Connexion électrique
- 02. Sectionneur
- 03. Arrêt d'urgence
- 04. Panneau de commande
- 05. accès motoréducteur maintenance

	A	B	C	D	E	F	G	H	I	J	K
P-25/100	1.462	423	485	791	75	45	986	1.079	610	287	998
P-25/120	1.662	423	485	791	75	45	986	1.279	610	287	1.198
P-25/140	1.862	423	485	791	75	45	986	1.479	610	287	1.398