



Catalogue
LAUNDRY
Chapter
IRONING AND FOLDING

Model
PS-35/140 MP E 400V 3N 50/60Hz

19010102

28/01/2020

WALL FLATWORK IRONER, PS-35/140 MP E

MAINTENANCE CARE

Simple, reliable and accesible mechanism in which the components have been designed and manufactured with the highest quality and prestige.

STAINLESS STEEL DESIGN

Panels made of stainless steel and steel with grey coating, inoxaesthetic (skinplate), easy to clean and more hygienic.

INVERTER

Frequency inverter in all models.

MP ELECTRONIC CONTROL

Intuitive and easy to use, the electronic control makes it possible to select the speed and temperature of the roller for optimum ironing.

HIGH-TECH ROLL

High-performance steel roller.

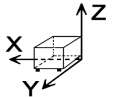
- Front insertion and reception of linen.
- Variable-frequency drive to control ironing speed.
- Safety protector for hands
- Automatic stop on cooling (80 °C)
- Unit exterior constructed in sandwich panel and stainless steel.
- Powerful exhaust extraction system.
- Insertion and ironing belts in Nomex for easy operation, high quality ironing and great durability.
- Electric heated model.
- 7 ironing speeds, adjustable by variable frequency drive, for selection between 1.5 and 8 m/ minute.
- Vapour extraction connection of 98 mm diameter.
- Table height of 990 mm.

Options

- Chromed roll for better performance and durability.
- Smart system: Moisture control that adapts to the speed of the roller depending on the dampness of the clothes.

"Note: You are recommended to insert the linen with a maximum moisture level of 45%."

DIMENSIONS



X Width	1960 mm	X Gross width	2340 mm
Y Depth	644 mm	Y Gross depth	770 mm
Z Height	1107 mm	Z Gross height	1400 mm
Net Weight	300,0 kg	Gross Weight	335,0 kg
Net volume	1,400 m3	Gross volume	2,523 m3

ELECTRICITY TECHNICAL SPECIFICATIONS

Engine power	0,37 kW
Fan Motor Power	0,12 kW
Electric power	12,370 kW
Amperage (A)	20A
Heating power	12,00 kW
Voltage	400V - 3N
Electric frequency	50/60Hz

AIR TECHNICAL SPECIFICATIONS

Maximum airflow	500 m3/h
-----------------	----------

CONNECTIONS TECHNICAL SPECIFICATIONS

230 V three-phase wiring	4 X 6 / 32A
Three-phase +N 400V wiring	5 X 4 / 20A
Extraction 1 diameter	98,00 mm

OTHERS

Roller length in cm	140,00 cm
Roller diameter	325 mm
Production 45% moisture	10 - 20 kg/h
Operational speed	1,00 - 6,50 m/min
Noise level	60,00 dB



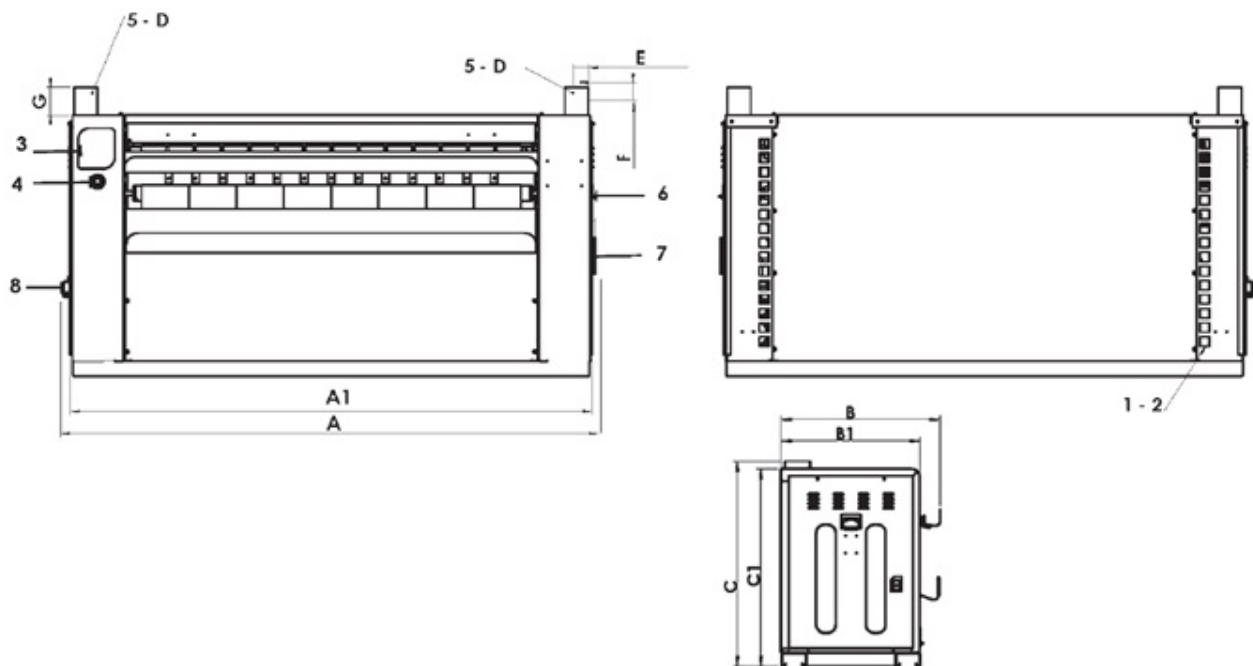
Catalogue
LAUNDRY

Chapter
IRONING AND FOLDING

Model
PS-35/140 MP E 400V 3N 50/60Hz

19010102

28/01/2020



	A	B	C	A1	B1	C1	D	E	F	G
PS-35/140	2.030	644	1.247	1.960	546	1.107	Ø 98	66	77	140
PS-35/160	2.280	644	1.247	2.210	546	1.107	Ø 98	66	77	140
PS-35/200	2.630	644	1.247	2.560	546	1.107	Ø 98	66	77	140

ESPAÑOL	ENGLISH	FRANÇAIS
1. Conexión eléctrica	1. Electrical connection	1. Arrivée électrique
2. Entrada gas	2. Gas inlet	2. Arrivée gaz
3. Panel de control	3. Control panel	3. Panneau de commande
4. Parada de emergencia	4. Emergency stop	4. Arrêt d'urgence
5. Salida de vahos	5. Exhaust	5. Evacuation buées
6. Contactador de manivela	6. Crank contactor	6. Contacteur manivelle
7. Manivela	7. Crank	7. Manivelle
8. Interruptor general	8. Main switch	8. Sectionneur