



**Catalogue**  
LAUNDRY  
**Chapter**  
IRONING AND FOLDING

**Model**  
PS-35/160 MP E 400V 3N 50/60Hz

19009211

28/01/2020

**WALL FLATWORK IRONER, PS-35/160 MP E**

**MAINTENANCE CARE**

Simple, reliable and accesible mechanism in which the components have been designed and manufactured with the highest quality and prestige.

**STAINLESS STEEL DESIGN**

Panels made of stainless steel and steel with grey coating, inoxaesthetic (skinplate), easy to cleanand more hygienic.

**INVERTER**

Frequency inverter in all models.

**MP ELECTRONIC CONTROL**

Intuitive and easy to use, the electronic control makes it possible to select the speed and temperature of the roller for optimum ironing.

**HIGH-TECH ROLL**

High-performance steel roller.

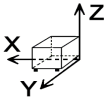
- Front insertion and reception of linen.
- Variable-frequency drive to control ironing speed.
- Safety protector for hands
- Automatic stop on cooling (80 °C)
- Unit exterior constructed in sandwich panel and stainless steel.
- Powerful exhaust extraction system.
- Insertion and ironing belts in Nomex for easy operation, high quality ironing and great durability.
- Electric heated model.
- 7 ironing speeds, adjustable by variablefrequency drive, for selection between 1.5 and 8 m/ minute.
- Vapour extraction connection of 98 mm diameter.
- Table height of 990 mm.

**Options**

- Chromed roll for better performance and durability.
- Smart system: Moisture control that adapts to the speed of the roller depending on the dampness of the clothes.

"Note: You are recommended to insert the linen with a maximum moisture level of 45%."

**DIMENSIONS**



X Width	2210 mm	X Gross width	2340 mm
Y Depth	644 mm	Y Gross depth	770 mm
Z Height	1107 mm	Z Gross height	1400 mm
Net Weight	355,0 kg	Gross Weight	375,0 kg
Net volume	1,580 m3	Gross volume	2,523 m3

**ELECTRICITY TECHNICAL SPECIFICATIONS**

Engine power	0,37 kW
Fan Motor Power	0,12 kW
Electric power	16,370 kW
Amperage (A)	25A
Heating power	16,00 kW
Voltage	400V - 3N
Electric frequency	50/60Hz

**AIR TECHNICAL SPECIFICATIONS**

Maximum airflow	500 m3/h
-----------------	----------

**CONNECTIONS TECHNICAL SPECIFICATIONS**

230 V three-phase wiring	4 X 10 / 50A
Three-phase +N 400V wiring	5 X 4 / 25A
Extraction 1 diameter	98,00 mm

**OTHERS**

Roller length in cm	160,00 cm
Roller diameter	325 mm
Production 45% moisture	20 - 30 kg/h
Operational speed	1,00 - 6,50 m/min
Noise level	60,00 dB



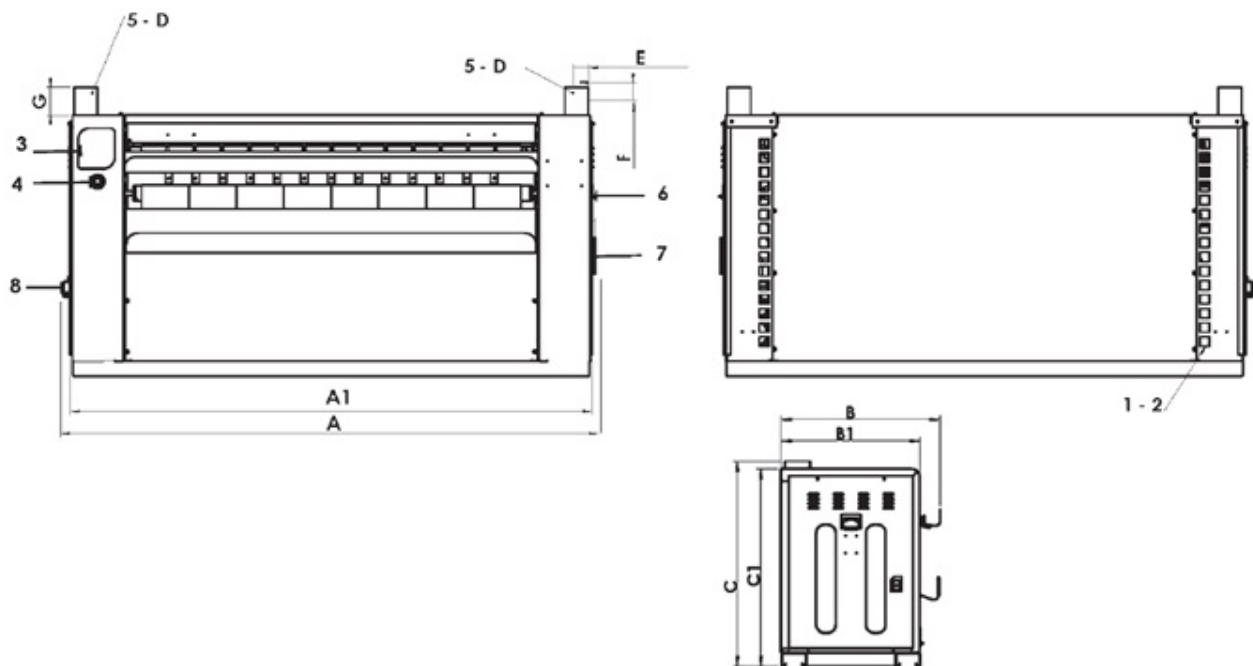
Catalogue  
**LAUNDRY**

Chapter  
**IRONING AND FOLDING**

Model  
**PS-35/160 MP E 400V 3N 50/60Hz**

19009211

28/01/2020



	A	B	C	A1	B1	C1	D	E	F	G
PS-35/140	2.030	644	1.247	1.960	546	1.107	Ø 98	66	77	140
PS-35/160	2.280	644	1.247	2.210	546	1.107	Ø 98	66	77	140
PS-35/200	2.630	644	1.247	2.560	546	1.107	Ø 98	66	77	140

ESPAÑOL	ENGLISH	FRANÇAIS
1. Conexión eléctrica	1. Electrical connection	1. Arrivée électrique
2. Entrada gas	2. Gas inlet	2. Arrivée gaz
3. Panel de control	3. Control panel	3. Panneau de commande
4. Parada de emergencia	4. Emergency stop	4. Arrêt d'urgence
5. Salida de vahos	5. Exhaust	5. Evacuation buées
6. Contactador de manivela	6. Crank contactor	6. Contacteur manivelle
7. Manivela	7. Crank	7. Manivelle
8. Interruptor general	8. Main switch	8. Sectionneur