

# Washer extractor

## W5350X

### Features and benefits

- **Compass Pro<sup>®</sup> microprocessor offers:**
  - Large display and one control knob for easy program selection
  - Language selection
  - Quick selection and option buttons for the most frequently used wash programs and options
  - Wash program packages optimized on Economy, Performance and Time. (Available on general programs)
- **AS – Automatic Savings:**
  - The machine weighs the linen and adjusts the amount of water and energy according to the load. This leads to considerable savings in case the machine is not fully loaded. (Available on general programs)
- Extremely low water and energy consumption – see table below
- Four compartment detergent box for manual dosing of powder or liquid detergent
- High extraction force for efficient dewatering
- Door with gasket and strong hinges built for heavy duty operation
- Stainless and galvanized steel in all vital parts for high degree of rust protection



Images shown are a representation of the product only and variations may occur.

### Main options

- Stainless steel side panels
- Coin-meter

Main specifications				W5350X	
Max. capacity	filling factor 1:10	kg/lb	35/77		
Drum,	volume	litre	350		
	diameter	ø mm	920		
Extraction		rpm	650		
G-factor			220		
Heating alternatives, 230/400V	electricity	kW	24		
	steam		x		
	non-heated		x		
<b>Consumption data "Normal 60°C"</b>				Full load, 35 kg	Half load, 17.5 kg**
<b>Economy*</b>					
Total time		min	51	48	
Water consumption (cold+hot)		litre	233+62	125+37	
Energy consumption (motor/heating/hot water)		kWh	0.6/5.75	0.6/3.4	
Steam consumption		kg	8.6	5.1	
Residual moisture		%	60	66	

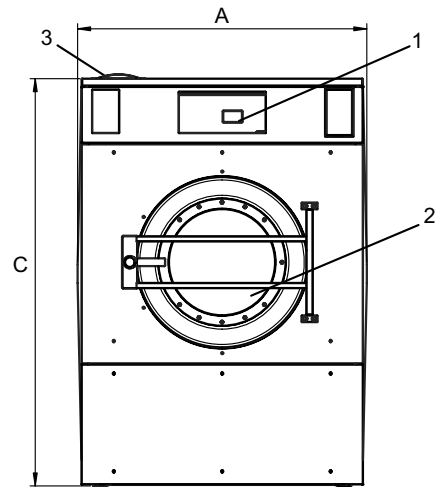
\* Water temperature 15°C cold water and 65°C hot water.  
 \*\* Programs with AS.

Electrical connections					
Heating alternative	Main voltage		Heating power kW	Total power kW	Recommended fuse A
		Hz			
Electric heated	220-240V 3 -	50/60	20.2-24.0 20.1-24.0	21.4-25.2 21.3-25.2	80
	380-415V 3 -	50/60			50
Non heated or steam heated	220-240V 1 -	50/60	-	1.8	10
	220-240V 1 -	50/60	-	1.8	10
	208-240V 1 -	50/60	-	1.8	10

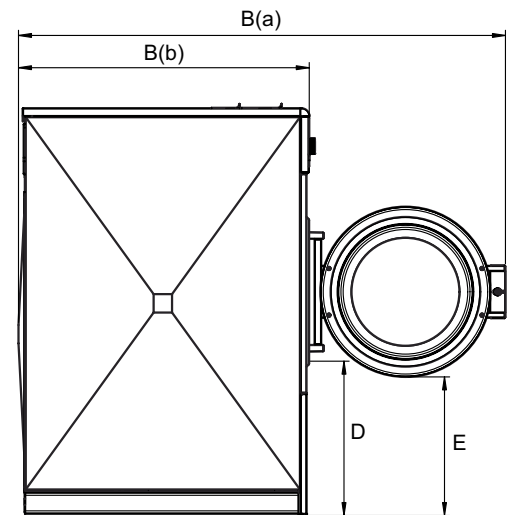
Water and steam connection		W5350X
Water valves	DN	20
Water pressure	kPa	200-600
Capacity at 300 kPa	l/min	60
Drain valve	ø mm	75
Steam valve	DN	15
Steam pressure	kPa	300-600
Floor requirements		
Frequency of the dynamic force	Hz	10.8
Floor load at max extraction	kN	6.9 ± 10.7
Sound levels		
Sound power/pressure level at extraction*	dB(A)	80/64
Sound power/pressure level at wash*	dB(A)	64/48
Heat emission		
% of installed power, max		5
Shipping data**		
Weight	net, kg	560
Shipping volume	m <sup>3</sup>	2.7
Dimensions in mm		
A	Width	1115
B(a)	Depth	1877
B(b)	Depth	1121
C	Height	1570
D		595
E		534
F		1273
G		116
H		433
I		373
J		333
K		74
L		529
M		1446
N		1366
O		122
P		206
1	Operating panel	6 Drain valve
2	Door opening ø 535 mm	7 Liquid detergent supply
3	Detergent box	8 Electrical connection
4	Cold water	9 Steam connection
5	Hot water	

\* Sound power levels measured according to ISO 60704.

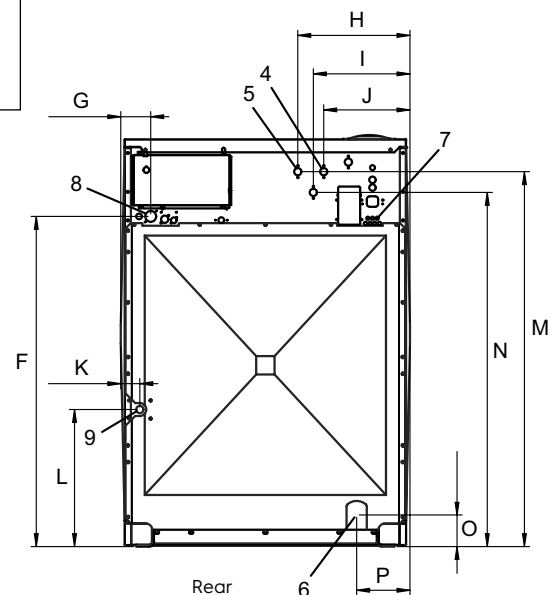
\*\* Average data. Crated weight/shipping volume depends on configuration. Please contact logistics for exact measures.



Front



Side view



Rear