

Tumble dryer

TD6-10



Dryer featuring exceptional savings and effortless use



Priority on people

Certified ergonomic design with a human-centered approach for an outstanding user experience

- Lint filter
The horizontal filter drawer is positioned for easy access and cleaning without the need to bend down
- Reversible door hanging for a convenient laundry flow
- Easy access to vital parts from front and rear for simple servicing



Long-term savings

Innovative features to save money and time, and embrace a sustainable lifestyle

- Moisture Balance (optional)
Helps to stop the drying process at the right time to save on energy costs



Pure control

Monitor your equipment and performance from anywhere, allowing to take action and to improve your business with OnE Laundry - the personal assistant for hygiene validation management, process management and revenue management (optional)



Outstanding productivity

Dry more laundry in less time: a game-changing improvement

- Reversing drum
Minimizes wrinkles and drying time to get an effective and even drying performance with 2 full loads per hour



Global Advanced Hygiene

Global Advanced Hygiene program package* with proven log 6 reduction** disinfection of textiles through the laundry process, fulfilling the criteria of all local approved standards

Main options and accessories

- Stainless steel base frame
- Connectable to booking-/payment system or coin meter
- Stainless steel drum, Stainless steel front



Images shown are a representation of the product only and variations may occur.

* Programs available in the standard library of all products, excluding products for specific segments where water temperature is not controllable.

** Log 6 reduction equals to 99,9999% viral infectivity reduction. The efficacy of reduction of SARS-CoV-2 and other pathogens in the process is confirmed by RISE (The Research Institute of Sweden) on the basis of Electrolux Professional laboratory data.

Main specifications			TD6-10			
Rated capacity, filling factor 1:18		kg/lb	10.6/23			
	filling factor 1:22	kg/lb	8.6/19			
Drum volume		litre	190			
Drum diameter		mm	680			
Heating,	electric	kW	6.0/8.0			
	gas	BTU/h (kW)	20500/27300 (6.0/8.0)			
Consumption data*			EI 6.0 kW	EI 8.0 kW	Gas 6.0 kW	Gas 8.0 kW
Total time full load		min	35	27	36	29
Energy consumption full load		kWh	3.45	3.53	3.67	3.74
Evaporation		g/min	102	129	106	131
Energy kWh/litre water evaporated		kWh/l	0.92	0.94	-	-

* At rated capacity 1:22, 100% cotton load at 50% initial moisture dried to 0%.

Electrical connections					
Heating alternative	Main voltage		Heating power kW	Total power kW	Recommended fuse A
		Hz			
Electric heated	220-240V 1/1N -	50/60	6.0/8.0	6.4/8.4	35/50
	220-240V 3 -	50/60	6.0/8.0	6.4/8.4	20/25
	380-415V 3N/3 -	50/60	6.0/8.0	6.4/8.4	16/16
	440V 3 -	60	6.0/8.0	6.4/8.4	10/10
	480V 3 -	60	6.0/8.0	6.4/8.4	10/10
	115V 3 -	60	4.1	4.5	25
Gas heated	220-480V 1/1N/3/3N -	50/60	*	0.4	10

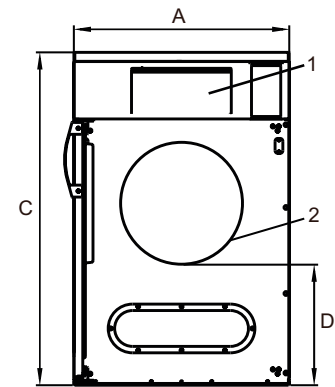
* Total power and recommended fuse does not depend on the heating power in those cases.

Gas and air connections			TD6-10
Gas		ISO 7/1-R	1/2"
Gas pressure	Natural gas	Pa	2000
		mbar	20
	Propane	Pa	2800-5000
		mbar	30
Air outlet		ø mm	125
Evacuated air	6.0 kW	m ³ /h	270
	8.0 kW		290
Pressure drop	6.0 kW	Max. Pa	380
	8.0 kW		350
Sound levels			
Sound power/pressure level at drying*		dB(A)	67/53
Heat emission			
% of installed power, max			15
Shipping data**			
Weight		net, kg	99
Shipping volume		m ³	0.83
Dimensions in mm			
A	Width		720
B(a)	Depth (Gas)		805
B(b)	Depth (EI)		765
B(c)	Depth		750
C	Height		1115
D			405
E			45
F			180
G			90
H			115
I			80
J			560
1	Operating panel		
2	Door opening ø 400 mm		
3	Electrical connection		
4	Gas connection		
5	Exhaust connection		

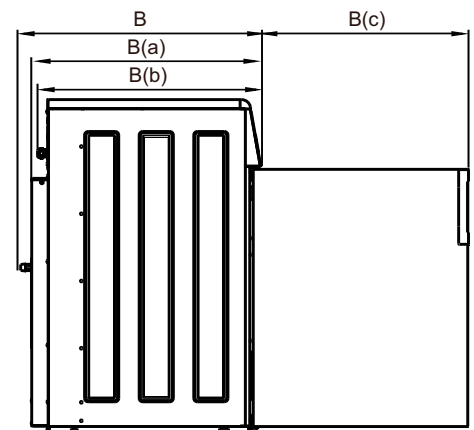
Front and side panes in silver grey and door handle in dark blue (color samples can be ordered on part number 472998313).

* Sound power levels measured according to ISO 60704.

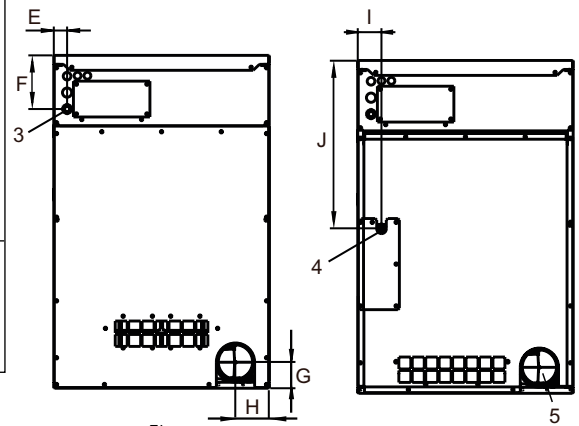
** Average data. Crated weight/shipping volume depends on configuration. Please contact logistics for exact measures.



Front



Left side



EI

Gas

Rear side