



**Catalogue**  
LAUNDRY  
**Chapter**  
DRYERS

**Model**  
SR-16 TP2 E 400V 3N 50Hz

18003094

14/02/2020

**ADVANCE DRYER, SR-16 TP2 E**

**KEY FEATURES:**

**01. TOUCH PLUS CONTROL "TP2"**

Fully programmable Touch plus control that offers the possibility to create, export and import new programmes (USB). It includes a touchscreen that is very intuitive and easy to use, 37 available languages and a USB port for software updates.

**02. iDry**

Moisture sensor, together with the temperature sensor at drum entry, offers precise control over the moisture levels of clothing. The system automatically stops the drying cycle as soon as the established residual moisture level has been reached. This avoids unnecessary prolongation of the drying cycle and the wear of clothing, while significantly reducing energy consumption.

**03. FIRE CARE SYSTEM**

As an option. It is instantly activated in case of fire within the dryer basket, providing users with maximum safety.

**OPL <-> SELF-SERVICE**

The machines can be converted from OPL to Selfservice and vice versa from the TP2 control.

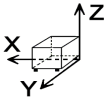
- Fully programmable Touch Plus Control Processor (TP2) with 4.3" touchscreen.
- External steel casing with grey coating (skinplate), stainless steel, easy to clean finish.
- Stainless steel drum.
- Axial-radial airflow, resulting in greater drying efficiency.
- Drum with stamped perforations for the gentle treatment of fabrics.
- Lint filter at the bottom, more ergonomic, larger and improved airflow.
- Automatic reverse rotation of the drum.
- Frequency inverter for smoother operation.
- Ergonomic door with a large opening and the option of double glazing.
- Anti-wrinkle system.
- End of cycle tone.
- Emergency stop button and security micro magnet to stop operation
- Motion transmission by geared motor

**OPTIONS:**

- Reverse opening door.
- Stainless steel casing.
- Stainless steel front.
- Wooden packaging.
- Air intake filter.
- Fluff filter.
- Tropicalised electronics.
- WI-FI
- Printer.
- Dosing.
- Double glazed door.
- 7" Screen.
- iDry System (Intelligent moisture sensor + temperature control at the drum entrance).
- FK System (Integrated fire prevention system).

**DIMENSIONS**

X Width	785 mm	X Gross width	865 mm
Y Depth	1125 mm	Y Gross depth	1210 mm
Z Height	1694 mm	Z Gross height	1840 mm
Net Weight	187,0 kg	Gross Weight	200,0 kg
Net volume	1,500 m3	Gross volume	1,926 m3



**ELECTRICITY TECHNICAL SPECIFICATIONS**

Engine power	0,37 kW
Fan Motor Power	0,25 kW
Electric power	18,670 kW
Amperage (A)	27,0
Heating power	18,00 kW
Voltage	400V - 3N
Electric frequency	50Hz

**AIR TECHNICAL SPECIFICATIONS**

Maximum airflow	850 m3/h
-----------------	----------

**CONNECTIONS TECHNICAL SPECIFICATIONS**

230 V three-phase wiring	4 X 16 / 63A
Three-phase +N 400V wiring	5 X 10 / 32A
Extraction 1 diameter	200,00 mm

**OTHERS**

Load capacity 1/18	18,30 kg
Load capacity 1/20	16,50 kg
Drum volume	330 L
Drum diameter	750 mm
Drum depth	746 mm
Hourly Output **	28,3 kg/h
Evaporation capacity *	12,5 L/h
Noise level	64,00 dB



Catalogue  
**LAUNDRY**

Chapter  
**DRYERS**

Model  
**SR-16 TP2 E 400V 3N 50Hz**

18003094

14/02/2020

Placement of the door:

Door center height: 976 mm

Door base height: 618 mm

Door opening diameter: 574 mm

\* Drying conditions: complete loading (1/20) of towels, drying temperature 90°C.

\*\*\* kg dry clothes per hour. Drying conditions: complete loading (1/20) of towels, drying temperature 90°C.

"



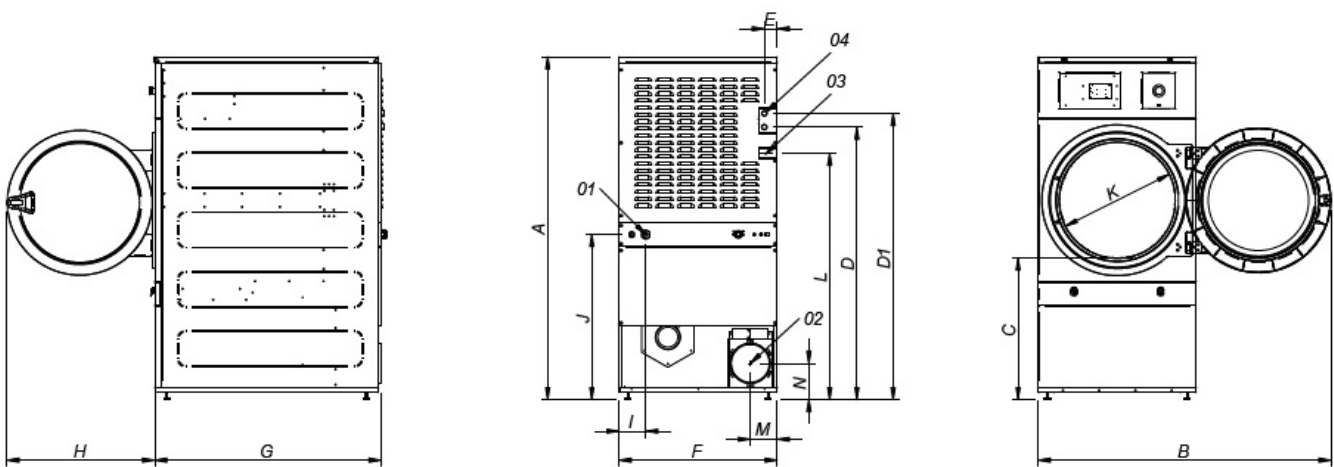
Catalogue  
**LAUNDRY**

Chapter  
**DRYERS**

Model  
**SR-16 TP2 E 400V 3N 50Hz**

18003094

14/02/2020



01 ACOMETIDA ELÉCTRICA  
02 SALIDA VAHOS Ø200  
03 ENTRADA GAS 1/2"  
04 ENTRADA VAPOR 3/4"

01 ELECTRIC CONNECTION  
02 FUMES OUTLET Ø200  
03 GAS CONNECTION 1/2"  
04 STEAM CONNECTION 3/4"

	A	B	C	D	D1	E	F	G	H	I	J	K	L	M	N
SR-SC-11	1694	1447	689	1354	1422	68	785	855	735	95	821	575	1226	133	180
SR-SC-16	1694	1447	689	1354	1422	68	785	1125	735	95	821	575	1226	133	180
SR-SC-23	1812	1552	743	1430	1532	112	890	1255	735	205	862	575	1344	133	180