

# Washer extractor

## WN6-28 Compass Pro



Washer featuring exceptional savings and effortless use



### Priority on people

Certified ergonomic design with a human-centered approach for an outstanding user experience

Compass Pro® microprocessor offers:

- Easy program selection
- Language selection
- Quick selection and option buttons for the most frequently used wash programs and options
- Wash program packages optimized on Economy, Performance and Time



### Long-term savings

Extremely low water and energy consumption – see table below

- High extraction force for efficient dewatering
- Super Balance guarantees the correct extraction force



### Pure control

Monitoring of the status of the equipment and performance from anywhere, allowing to take action to improve the business

- Washers connectable to OnE Laundry, the personal assistant for hygiene validation, process management and revenue management



### Global Advanced Hygiene

Global Advanced Hygiene program package\* with proven log 6 reduction\*\* disinfection of textiles through the laundry process, fulfilling the criteria of all local approved standards

### Main options

- Automatic liquid detergent supply (optional I/O board)
- Connection to booking- /payment- system or coin meter



Images shown are a representation of the product only and variations may occur.

\* Programs available in the standard library of all products, excluding products for specific segments where water temperature is not controllable.

\*\* Log 6 reduction equals to 99,9999% viral infectivity reduction. The efficacy of reduction of SARS-CoV-2 and other pathogens in the process is confirmed by RISE (The Research Institute of Sweden) on the basis of Electrolux Professional laboratory data.

Main specifications				WN6-28			
Rated capacity, filling factor 1:9	kg/lb			28/62			
Drum, volume	litre			250			
	diameter	ø mm		725			
Extraction		rpm		566			
G-factor				130			
Standard heating alternatives	electricity	kW		18.0			
	steam			x			
	non-heated			x			
<b>Consumption data "ECO 60°C"</b>				EI		Steam***	
Total time	min	Full load, 28 kg	Half load, 14 kg	Full load, 28 kg	Half load, 14 kg	Full load, 28 kg	Half load, 14 kg
Water consumption (cold+hot)	litre	49	46	49	46	206+0	162+0
Energy consumption (motor/heating/hot water)	kWh	159+47	131+31	0.3/-	0.3/-	0.3/-	0.3/-
Steam consumption	kg	0.3/1.35/3.0	0.3/0.9/2.0	-	-	6.5	4.35
Residual moisture	%	-	-	65	74	65	74

\* Water temperature 15°C cold water and 65°C hot water.

\*\* Programs with AS.

\*\*\* Depending on steam pressure.

Electrical connections					
Heating alternative	Main voltage		Heating power kW	Total power kW	Recommended fuse A
		Hz			
Electric heated	220-240V 3 -	50/60	18.0	18.8	50
	380-415V 3/3N -	50/60	18.0	18.8	35
	440V 3 -	50/60	18.0	18.8	35
	480V 3 -	60	18.0	18.8	25
Steam or Non heated	220-480V 1 -	50/60	-	1.1	10

\* Total power and recommended fuse does not depend on the heating power in those cases.

Water and steam connection		WN6-28
Water valves	DN	20
Water pressure	kPa	200-600
Capacity at 300 kPa	l/min	60
Drain valve	ø mm	75
Draining capacity	l/min	170
Steam valve	DN	15
Steam pressure	kPa	300-600
Liquid detergent supplies		5

Floor requirements		
Frequency of the dynamic force	Hz	8.3
Floor load at max extraction	kN	3.8 ± 4.9

Sound levels		
Sound power/pressure level at extraction*	dB(A)	70/54
Sound power/pressure level at wash*	dB(A)	66/50

Heat emission		
% of installed power, max		5

Shipping data**		
Weight	net, kg	262
Shipping volume	m <sup>3</sup>	1.66

Accessories		
Steel base		x
Hose kits for water or steam		x
Fluff collector		x

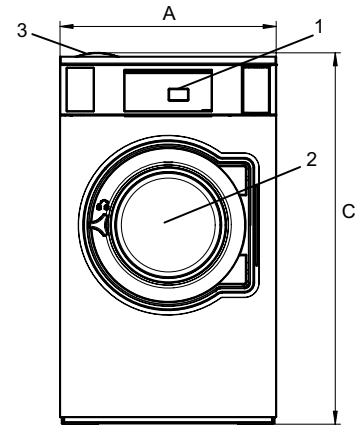
Dimensions in mm		
A	Width	830
B	Depth	1030
C	Height	1430
D1		470
D2		550
E		1590
F		1135
G		80
H		1330
I		325
J		245
K		1290
L		1205
M		280
N		105
O		265
P		160

1	Operating panel	7	Drain valve
2	Door opening ø 435 mm	8	Liquid detergent supply
3	Detergent box	9	Electrical connection
4	Cold water	10	Steam connection
5	Hot water		
6	Re-used water		

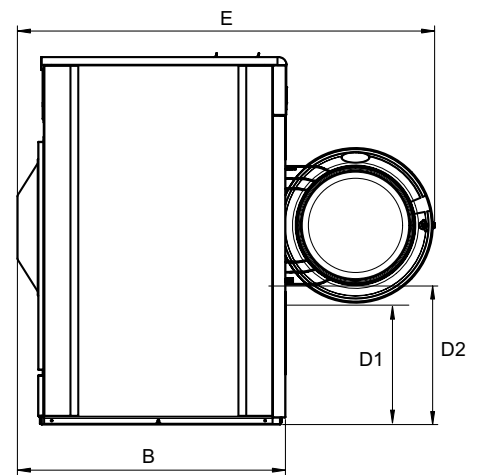
Front and side panels in silver grey and dark blue (color samples can be ordered on part number 472998313).

\* Sound power levels measured according to ISO 60704.

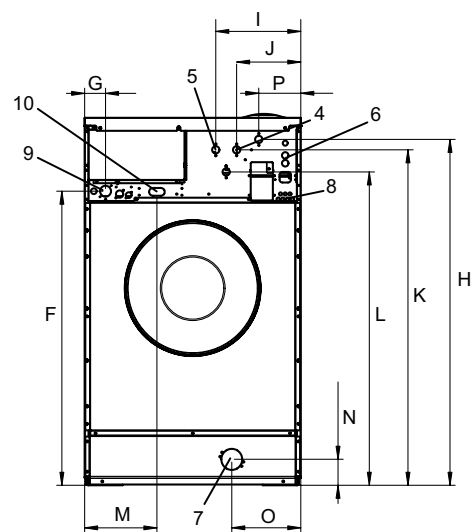
\*\* Average data. Crated weight/shipping volume depends on configuration. Please contact logistics for exact measures.



Front



Side view



Rear