



Catalogue

Chapter

Model

LBS-27 TP2 E 230/400/440V 3N/3 50/60Hz

18002268

11/02/2020

SANITARY BARRIER WASHER EXTRACTOR, LBS-27 TP2 E

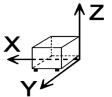
- New TP2 processor with two 7" screens, a touch screen for programming on the dirty linen loading side, and an information screen on the unloading side in the clean zone.
- 3 water inlets.
- Automatic drum positioning with motor brake to facilitate the loading and unloading operation
800 mm loading height.
- External steel casing with grey coating (skinplate), stainless steel, easy to clean finish.
- Heating versions: electric and steam.
- Double heating version, selectable electric and steam.
- 29 programs pre-set from factory.
- Traceability as standard.
- 8 signals for automatic liquid dosing, programmable in time and delay.
- Optimum load. Intelligent weighing system.
- Possibility of configuring three levels of savings. 6 extra signals available optionally.
- Designed for water recovery tanks. Low water consumption.
- 1-compartment horizontal spin drum.
- Loading and unloading doors. Door locks with safety opening
- Electrical part to the left, mechanical to the right, connections at the top.
- Central drain.
- Technical menu. Statistics, alarms, autotest, data recovery for technicians and maintenance.
- Motor with variable-frequency drive incorporated.
- Prepared for Wet cleaning
- Electric heating version
- 1 compartment with useful drum opening dimension of 480x515 mm

OPTIONS:

- Weight System (WS)
- Side Drain Valve (SDV)
- Detergent Box (DBX)
- Electric Battery Motor Brake (UPS)
- 6 extra dosage signals (XD)
- 2nd Drain Valve (DD)
- Titration Valve (TV)
- Stainless Steel Case (SSC)
- Wooden Maritime Packaging (WM)
- Printer Kit (PR)
- Low Pressure Steam (LPS)
- Different voltage options.
- "
- "

DIMENSIONS

X Width	1201 mm	X Gross width	1464 mm
Y Depth	1098 mm	Y Gross depth	1300 mm
Z Height	1580 mm	Z Gross height	1720 mm
Net Weight	886,0 kg	Gross Weight	906,0 kg
Net volume	2,090 m3	Gross volume	3,274 m3



ELECTRICITY TECHNICAL SPECIFICATIONS

Engine power	4,00 kW
Electric power	22,000 kW
Amperage (A)	33A
Heating power	18,00 kW
Voltage	230/400/440V - 3N/3
Electric frequency	50/60Hz

WATER TECHNICAL SPECIFICATIONS

Pressure	H2O: 200-400kPa(2-4bar)
Water max consumption	245,00 L/h

CONNECTIONS TECHNICAL SPECIFICATIONS

230 V three-phase wiring	4 X 16 / 63A
Three-phase +N 400V wiring	5 X 10 / 40A
Water inlet diameter	1"
Drain 1 diameter	3"
Drainage capacity	160 l/min

OTHERS

Load capacity 1/9	30,00 kg
Load capacity 1/10	27,00 kg
Drum volume	266 L
Drum diameter	800 mm
Drum depth	530 mm
Drum compartments	1
Wash speed	45,0 r.p.m.
Max revolutions	920 r.p.m.
G Factor	375
Frequency of dynamic load (Hz)	15,40
Noise level	65,00 dB



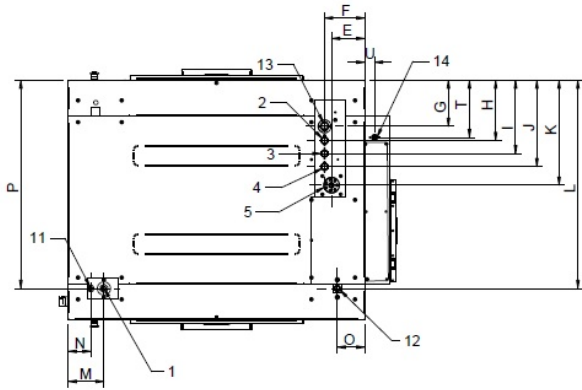
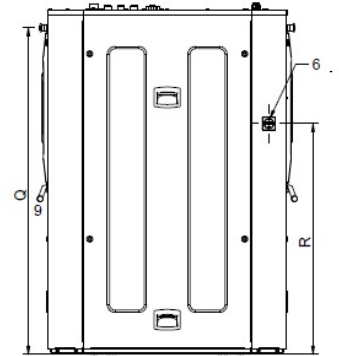
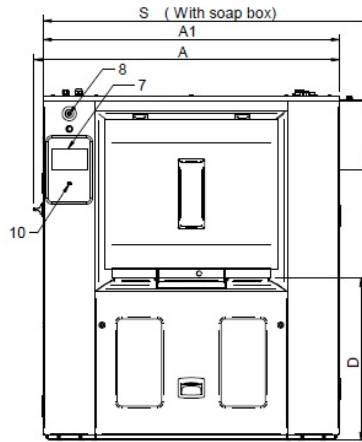
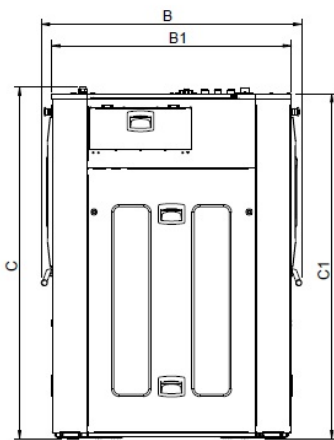
Catalogue

Chapter

Model
LBS-27 TP2 E 230/400/440V 3N/3 50/60Hz

18002268

11/02/2020



01.	Conexión eléctrica	Electrical connexion	Connexion électrique
02.	Agua fría	Cold water	Eau froide
03.	Agua descalcifici cada	Soft water	Eau adoucie
04.	Agua caliente	Hot wather	Eau chaude
05.	Entrada productos líquidos	Liquid products inlet	Entrée produits liquides
06.	Main swtich	Main switch	Interrupteur principal
07.	Panel de control	Control panel	Panneau de commande
08.	Parada de emergencia	Emergency stop	Bouton d'arrêt d'urgence
09.	Apertura de puerta	Door opening	Ouverture porte
10.	Puerto USB	USB port	Port USB
11.	Conexión a bomba dosificadora	Dosing pumps connexion	Connexion pompes doseuses
12.	Entrada de vapor	Steam inlet	Entrée vapeur
13.	Salida de vahos	Exhaust	Event
14.	Jabonera	Cold water detegent box	Eau froide pour bac à produit

	A	B	C	A1	B1	C1	D	E	F	G	H	I	J	K	L	M	N	O	P	Q	R	S	T	U
LBS-27	1244	1193	1612	1201	1098	1581	745	152	185	212	277	337	397	482	956	163	103	126	956	1499	1059	1350	263	45
LBS-35	1402	1193	1612	1359	1098	1581	745	152	185	212	277	337	397	482	956	163	103	126	956	1499	1059	1508	263	45
LBS-50	1697	1193	1612	1654	1098	1581	745	152	185	212	277	337	397	482	956	163	103	126	956	1499	1059	1803	263	45