


WASHER-EXTRACTORS WS5-WSB5 200-270-350

Tips for use

Drum positioning and Door unlocking

- Position the inner drum in front of the outer door with the "Door unlocking button" .

Loading

- Before launching a wash cycle, check the clothes
 - Empty the pockets, close zip and fasteners.
- Do not overload the drum and comply with the machine capabilities.

Adding detergents

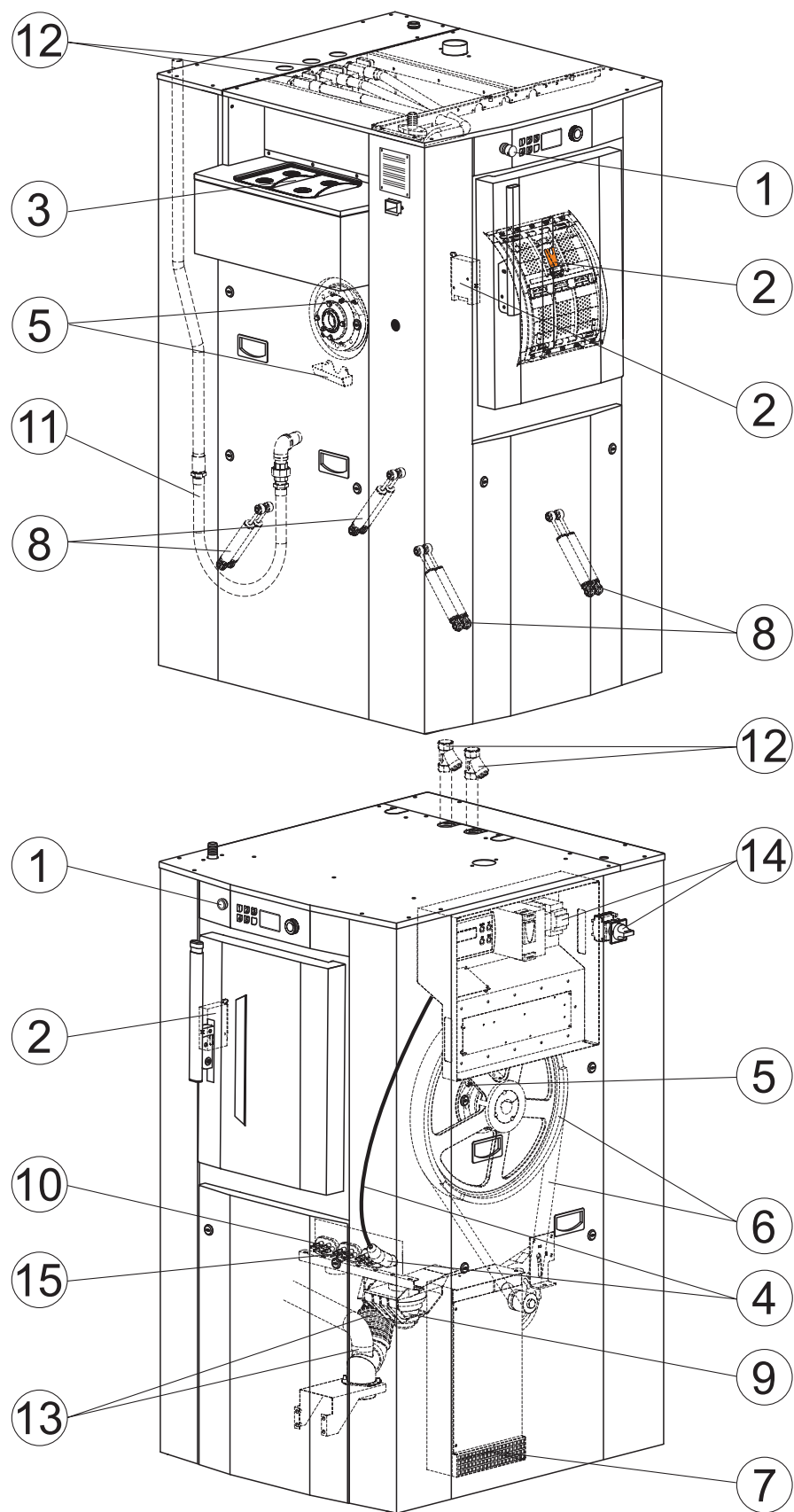
- Machines equipped with a soap box can contain 2 powders and 2 liquids products, used during the pre-wash, main wash or rinse step according to the program.

Launching a wash program

- Use the control knob to select wash program, options and any other available functions.
- Turn the knob until the required option is shown on the display.
- Confirm your choice by pushing in the knob.
- Repeat this procedure until all the required options have been chosen.

Refer to the brochure "how" to best use your machine

MAINTENANCE



DAILY (8 h)

(at the beginning of each working day)

- Check that the "Emergency stop button" works properly.
- Check that the opening safety devices of the inner drum doors and of the outer doors are working correctly.
- Clean the detergent container at regular basis to avoid that it is being clogged by detergent residue.

MONTHLY (170 h)

- Clean the water level pipe and connections on the outer drum (do not blow in the pipe toward the CPU).
- Grease the drum bearings (two greasing points per bearing. Use an appropriate pump and grease, avoid brutal injections (see lubricant table in the operating manual).
- Check that the belts are clean and tightened. Clean the inner drum pulley.
- Clean the converter's grille and its cooling system with a suction system. Increase the cleaning times frequency to the dirtying.

EVERY THREE MONTHS (500 h)

- Visually check the shock absorbers.
- Remove and clean the drain.

EVERY SIX MONTHS (1000 h)

- Check the connections of the heating elements (for electric heating).
- Check the steam heating pipes, aspect and connecting points. Clean the filter (for steam heating).
- Check the water inlet pipes, aspect and connecting points. Clean the valve filters.
- Check the bellows, aspects and choke collar.
- Check that the electrical connection are correctly tightened as well on the main switch than on the electric elements contactor.
- Remove the scale of the heating elements using the right chemical. Adapt this operation according to your need (water hardness).

NOTE: All repair procedures or maintenance must be performed by a person authorized in accordance with local regulations in force in the country.