

Washer extractor

W5280X

Features and benefits

- **Compass Pro[®] microprocessor offers:**
 - Large display and one control knob for easy program selection
 - Language selection
 - Quick selection and option buttons for the most frequently used wash programs and options
 - Wash program packages optimized on Economy, Performance and Time. (Available on general programs)
- **AS – Automatic Savings:**
 - The machine weighs the linen and adjusts the amount of water and energy according to the load. This leads to considerable savings in case the machine is not fully loaded. (Available on general programs)
- Extremely low water and energy consumption – see table below
- Four compartment detergent box for manual dosing of powder or liquid detergent
- High extraction force for efficient dewatering
- Door with gasket and strong hinges built for heavy duty operation
- Stainless and galvanized steel in all vital parts for high degree of rust protection
- **Power Balance:**
 - Maximises the extraction force, leading to highest dewatering and savings in drying
 - Minimizes the stress on the machine, leading to trouble-free operation and increased machine lifetime
 - Reduces vibrations, making it possible to install the machine in all locations



Images shown are a representation of the product only and variations may occur.

Main options

- Stainless steel side panels
- Coin-meter

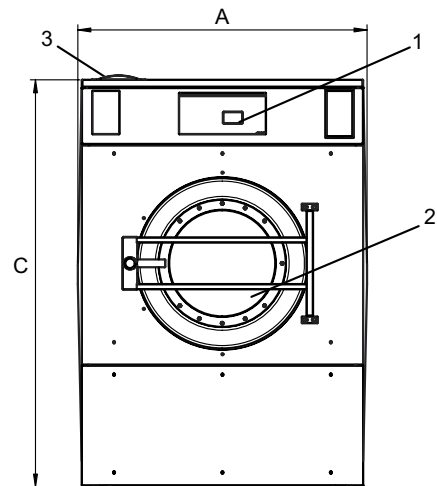
Main specifications			W5280X	
Max. capacity filling factor 1:10	kg/lb		28/62	
Drum, volume	litre		280	
diameter	ø mm		830	
Extraction	rpm		805	
G-factor			300	
Heating alternatives, 230/400V	steam		x	
	non-heated		x	
Consumption data "Normal 60°C"			Full load, 28 kg	Half load, 14 kg**
Economy*				
Total time	min		49	46
Water consumption (cold+hot)	litre		187+46	89+25
Energy consumption (motor/heating/hot water)	kWh		0.35/4.3	0.35/2.3
Steam consumption	kg		6.5	3.5
Residual moisture	%		54	60
* Water temperature 15°C cold water and 65°C hot water.				
** Programs with AS.				

Electrical connections					
Heating alternative	Main voltage		Heating power kW	Total power kW	Recommended fuse A
		Hz			
Steam or Non heated	220-240V 1 -	50/60	-	1.5	10
	208-240V 1 -	60	-	1.5	10

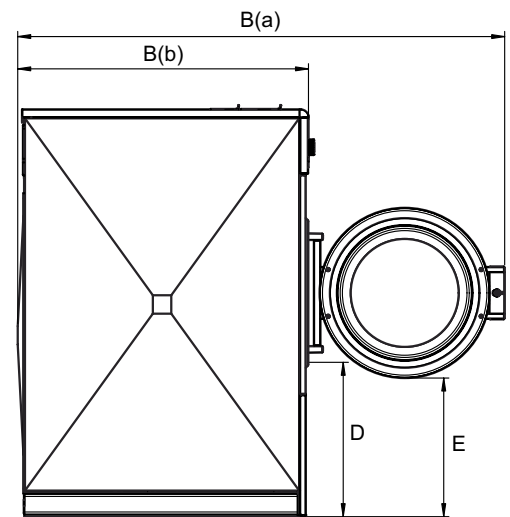
Water and steam connection		W5280X	
Water valves	DN	20	
Water pressure	kPa	200-600	
Capacity at 300 kPa	l/min	60	
Drain valve	∅ mm	75	
Steam valve	DN	15	
Steam pressure	kPa	300-600	
Floor requirements			
Frequency of the dynamic force	Hz	13.4	
Floor load at max extraction	kN	4.9 ± 9.5	
Sound levels			
Sound power/pressure level at extraction*	dB(A)	74/58	
Sound power/pressure level at wash*	dB(A)	67/52	
Heat emission			
% of installed power, max		5	
Shipping data**			
Weight	net, kg	365	
Shipping volume	m ³	2	
Dimensions in mm			
A	Width	933	
B(a)	Depth	1632	
B(b)	Depth	985	
C	Height	1456	
D		590	
E		520	
F		1159	
G		123	
H		417	
I		355	
J		317	
K		59	
L		401	
M		1328	
N		1255	
O		119	
P		175	
1	Operating panel	6	Drain valve
2	Door opening ∅ 410 mm	7	Liquid detergent supply
3	Detergent box	8	Electrical connection
4	Cold water	9	Steam connection
5	Hot water		

* Sound power levels measured according to ISO 60704.

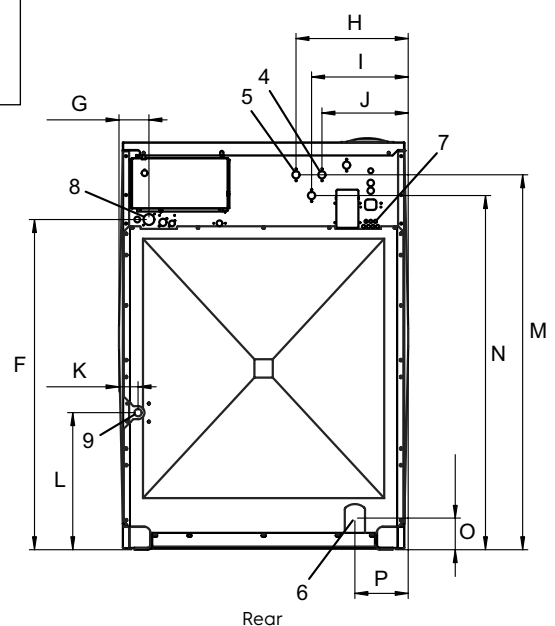
** Average data. Crated weight/shipping volume depends on configuration. Please contact logistics for exact measures.



Front



Side view



Rear