



**Catalogue**  
LAUNDRY  
**Chapter**  
IRONING AND FOLDING

**Model**  
PS-35/200 MP G 400V 3N 50Hz

19009392

28/01/2020

**WALL FLATWORK IRONER, PS-35/200 MP G**

**MAINTENANCE CARE**

Simple, reliable and accesible mechanism in which the components have been designed and manufactured with the highest quality and prestige.

**STAINLESS STEEL DESIGN**

Panels made of stainless steel and steel with grey coating, inoxaesthetic (skinplate), easy to clean and more hygienic.

**INVERTER**

Frequency inverter in all models.

**MP ELECTRONIC CONTROL**

Intuitive and easy to use, the electronic control makes it possible to select the speed and temperature of the roller for optimum ironing.

**HIGH-TECH ROLL**

High-performance steel roller.

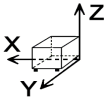
- Front insertion and reception of linen.
- Variable-frequency drive to control ironing speed.
- Safety protector for hands
- Automatic stop on cooling (80 °C)
- Unit exterior constructed in sandwich panel and stainless steel.
- Powerful exhaust extraction system.
- Insertion and ironing belts in Nomex for easy operation, high quality ironing and great durability.
- Gas heated model with atmospheric burner.
- 7 ironing speeds, adjustable by variable frequency drive, for selection between 1.5 and 8 m/ minute.
- Two vapour extraction connections of 98 mm diameter.
- Table height of 990 mm.

**Options**

- Chromed roll for better performance and durability.
- Smart system: Moisture control that adapts to the speed of the roller depending on the dampness of the clothes.

"Note: You are recommended to insert the linen with a maximum moisture level of 45%."

**DIMENSIONS**



X Width	2560 mm	X Gross width	2780 mm
Y Depth	644 mm	Y Gross depth	770 mm
Z Height	1107 mm	Z Gross height	1400 mm
Net Weight	405,0 kg	Gross Weight	428,0 kg
Net volume	1,830 m3	Gross volume	2,997 m3

**ELECTRICITY TECHNICAL SPECIFICATIONS**

Engine power	0,49 kW
Fan Motor Power	0,24 kW
Electric power	0,490 kW
Amperage (A)	6A
Voltage	400V - 3N
Electric frequency	50Hz

**GAS TECHNICAL SPECIFICATIONS**

Gas type	NG
Gas consumption	3,170 m3/h
Regulated	NG G20 20 mbar

**AIR TECHNICAL SPECIFICATIONS**

Maximum airflow	1000 m3/h
-----------------	-----------

**CONNECTIONS TECHNICAL SPECIFICATIONS**

230 V three-phase wiring	4 X 2.5 / 6A
Three-phase +N 400V wiring	5 X 2.5 / 6A
Gas diameter 1	1/2"
Extraction 1 diameter	98,00 mm
Extraction 2 diameter	98,00 mm

**OTHERS**

Roller length in cm	200,00 cm
Roller diameter	325 mm
Production 45% moisture	30 - 40 kg/h
Operational speed	1,00 - 6,50 m/min
Noise level	63,00 dB



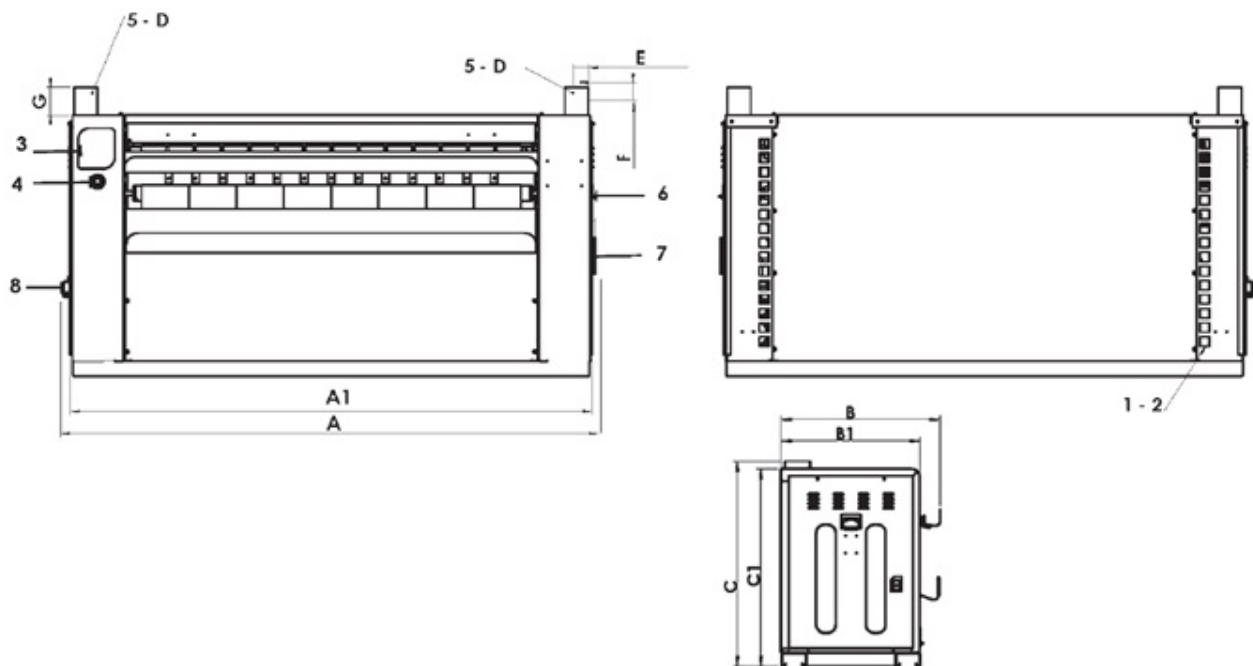
Catalogue  
**LAUNDRY**

Chapter  
**IRONING AND FOLDING**

Model  
**PS-35/200 MP G 400V 3N 50Hz**

19009392

28/01/2020



	A	B	C	A1	B1	C1	D	E	F	G
PS-35/140	2.030	644	1.247	1.960	546	1.107	Ø 98	66	77	140
PS-35/160	2.280	644	1.247	2.210	546	1.107	Ø 98	66	77	140
PS-35/200	2.630	644	1.247	2.560	546	1.107	Ø 98	66	77	140

ESPAÑOL	ENGLISH	FRANÇAIS
1. Conexión eléctrica	1. Electrical connection	1. Arrivée électrique
2. Entrada gas	2. Gas inlet	2. Arrivée gaz
3. Panel de control	3. Control panel	3. Panneau de commande
4. Parada de emergencia	4. Emergency stop	4. Arrêt d'urgence
5. Salida de vahos	5. Exhaust	5. Evacuation buées
6. Contactador de manivela	6. Crank contactor	6. Contacteur manivelle
7. Manivela	7. Crank	7. Manivelle
8. Interruptor general	8. Main switch	8. Sectionneur