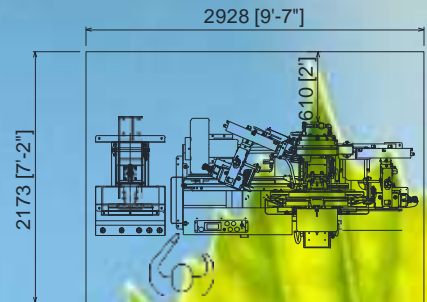


AUTOMATIC !
IRONING !
MACHINE !

Productivity
70 Shirts/Hour

Unique Features

- **Sleeve Angle Adjustment** For The Finest Sleeve Finish For Different Types Of Shirts
- Body Side Press Finish With **Curved Heat Plate** To Achieve Excellent Press Quality
- Long Lasting Resilient **Spring Pad** With Efficient Moisture Escape Path For The Faster Dry And Prevention Of Bottom Breakage
- Powerful **Hot Air Blower** For Fast And Fine Finishing Quality
- **Strong Vacuum** With Powerful Motor
- Panasonic Control **Computer & Touch Screen** Interface
- Production Management System



Layout Example



Powerful Hot Air Blower



Spring Pad



Sleeve Angle Adjustment

Industrial Pioneer Sleeve Arm Up and Down Design.

Model	Power Input	Power Input	Power	Steam	Air	Weight	Dimensions
YPS-301 Single Body Sleeve	E Model 220V, 3 Phase	U Model 220V, 1 Phase	1500 W	0.6 Mpa 25 Kg/Hr, 1.4 BHP	0.5 Mpa 35 Litter/Hr	670kg	W x D x H (mm)
							2344 x 1181 x 1809
YPS-622 Single Collar Cuff	E Model 220V, 3 Phase	U Model 220V, 1 Phase	25 W	0.6 Mpa 13 Kg/Hr, 0.8 BHP	0.5 Mpa 45 Litter/Hr	255kg	Dimensions
							W x D x H (mm)
							600 x 1025 x 1410

Web Link : www.yacjapan.in
E-mail : info@yacjapan.in

[Click here for Product Video](#)

