



Catalogue
LAUNDRY
Chapter
IRONING AND FOLDING

Model
PE-18/120 M 230V 1N 50/60Hz

19017135

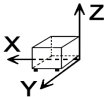
19/02/2020

WALL IRONER, PE-18/120 M

- Wall mounted and small in size, they can be positioned in very limited spaces and require hardly any installation since they do not have any kind of exhaust or connection, except to the electric current.
 - Unit exterior in stainless and lacquered steel.
 - Anodised aluminium bucket.
 - Front loading and unloading.
 - Safety protector for hands.
 - Electronic microprocessor for temperature regulation.
 - Safety thermostat.
 - Electric heating system.
 - Movement of the tray manual, by pedal.
 - Anodised aluminium tray Roller manufactured in polyester.
 - Tray roller NOMEX in option.
- "Note: You are recommended to insert the linen with a moisture level of between 20 and 25%."

DIMENSIONS

| X Width | 1486 mm | X Gross width | 1650 mm |
|------------|----------|----------------|----------|
| Y Depth | 430 mm | Y Gross depth | 450 mm |
| Z Height | 970 mm | Z Gross height | 1140 mm |
| Net Weight | 93,0 kg | Gross Weight | 108,0 kg |
| Net volume | 0,620 m3 | Gross volume | 0,846 m3 |



ELECTRICITY TECHNICAL SPECIFICATIONS

| | |
|--------------------|-----------|
| Engine power | 0,03 kW |
| Electric power | 4,029 kW |
| Amperage (A) | 20A |
| Heating power | 4,00 kW |
| Voltage | 230V - 1N |
| Electric frequency | 50/60Hz |

CONNECTIONS TECHNICAL SPECIFICATIONS

| | |
|----------------------------|-------------|
| Single-phase 230V wiring | 2X2,5+T-25A |
| Three-phase +N 400V wiring | 4X1,5+T-10A |

OTHERS

| | |
|-----------------------------|------------|
| Roller length in cm | 120,00 cm |
| Roller diameter | 180 mm |
| Production 20-25 % moisture | 20 kg/h |
| Operational speed | 2,02 m/min |
| Noise level | 45,00 dB |

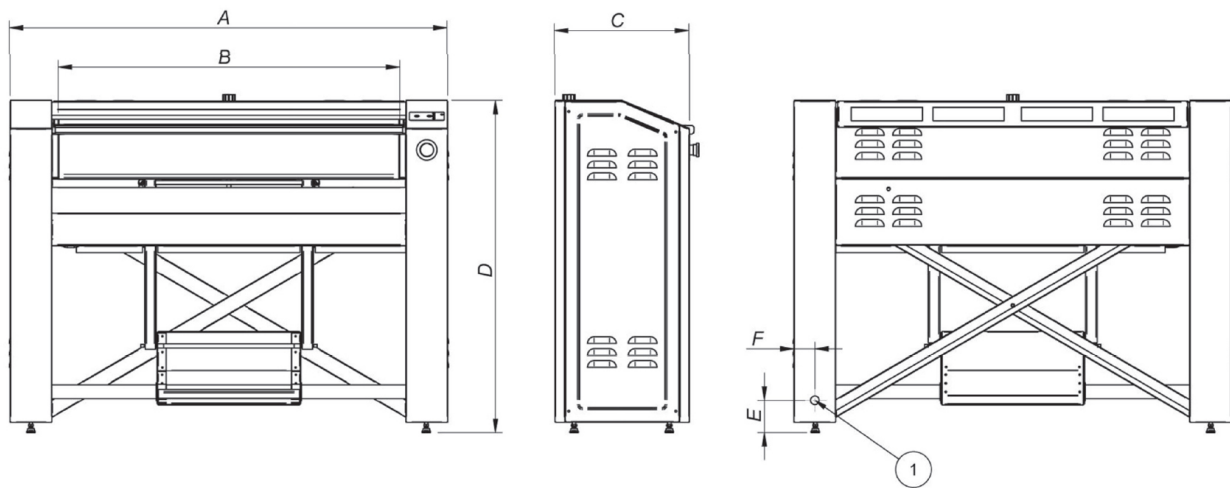


Catalogue
LAUNDRY
 Chapter
IRONING AND FOLDING

Model
PE-18/120 M 230V 1N 50/60Hz

19017135

19/02/2020



| Model | A | B | C | D | E | F |
|-----------|-------|-------|-----|-----|----|----|
| PE-18/100 | 1.286 | 1.000 | 400 | 970 | 95 | 61 |
| PE-18/120 | 1.486 | 1.200 | 400 | 970 | 95 | 61 |