

Washer extractor

WH6-14 Compass Pro



Washer featuring exceptional savings and effortless use



Priority on people

Certified ergonomic design with a human-centered approach for an outstanding user experience

Compass Pro® microprocessor offers:

- Easy program selection
- Language selection
- Quick selection and option buttons for the most frequently used wash programs and options
- Wash program packages optimized on Economy, Performance and Time



Long-term savings

Innovative features designed for lowest possible water, energy and detergent consumption, to save money and time, and embrace a sustainable lifestyle

- Automatic Savings weighs the linen and adjusts the water level to the amount of linen, saving water and energy at less than full load
- Power Balance measures, corrects the unbalance and adjusts the G force in real time, maximizing the dewatering, saving money and time in the drying process



Pure control

Monitoring of the status of the equipment and performance from anywhere, allowing to take action to improve the business

- Washers connectable to OnE Laundry, the personal assistant for hygiene validation, process management and revenue management



Global Advanced Hygiene

Global Advanced Hygiene program package* with proven log 6 reduction** disinfection of textiles through the laundry process, fulfilling the criteria of all local approved standards

Main options

- Savings on chemicals with help of Efficient dosing, both ED peristaltic pumps and ED Venturi
- Connection to booking- /payment- system or coin meter



Images shown are a representation of the product only and variations may occur.

* Programs available in the standard library of all products, excluding products for specific segments where water temperature is not controllable.

** Log 6 reduction equals to 99,999% viral infectivity reduction. The efficacy of reduction of SARS-CoV-2 and other pathogens in the process is confirmed by RISE (The Research Institute of Sweden) on the basis of Electrolux Professional laboratory data.

Main specifications			WH6-14			
Max. capacity	filling factor 1:9	kg/lb	14/30			
Drum, volume		litre	130			
	diameter	ø mm	650			
Extraction		rpm	1115			
G-factor			450			
Standard heating alternatives	electricity	kW	13.0			
	steam		x			
	non-heated		x			
Consumption data "ECO 60°C"			EI		Steam***	
Total time		min	Full load, 14 kg	Half load**, 6.5 kg	Full load, 14 kg	Half load**, 6.5 kg
Water consumption (cold+hot)		litre	60	54	60	54
Energy consumption (motor/heating/hot water)		kWh	86+5	42+4	91+0	46+0
Steam consumption		kg	0.30/1.75/0.25	0.30/0.9/0.2	0.30	0.30
Residual moisture		%	-	-	3.0	1.65
			45	46	45	46

* Water temperature 15°C cold water and 65°C hot water.

** Programs with AS.

*** Depending on steam pressure.

Electrical connections					
Heating alternative	Main voltage		Heating power kW	Total power kW	Recommended fuse A
		Hz			
Electric heated	220-240V 1/IN	~ 50/60	4.8/13.0	5.2/13.4	25/63
	220-240V 3	~ 50/60	4.8/13.0	5.2/13.4	16/35
	380-415V 3N/3	~ 50/60	4.8/13.0	5.2/13.4	10/20
	440V 3	~ 50/60	13.0	13.4	20
	480V 3	~ 60	13.0	13.4	20
Steam or Non heated	220-480V 1	~ 50/60	-	1.2	10

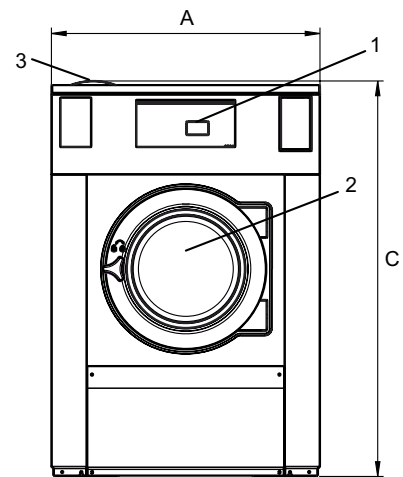
* Total power and recommended fuse does not depend on the heating power in those cases.

Water and steam connection		WH6-14
Water valves	DN	20
Water pressure	kPa	200-600
Capacity at 300 kPa	l/min	20
Drain valve	ø mm	75
Draining capacity	l/min	170
Steam valve	DN	15
Steam pressure	kPa	300-600
Liquid detergent supplies		5
Floor requirements		
Frequency of the dynamic force	Hz	18.6
Floor load at max extraction	kN	3.1 ± 0.5
Sound levels		
Sound power/pressure level at extraction*	dB(A)	78/62
Sound power/pressure level at wash*	dB(A)	63/48
Heat emission		
% of installed power, max		5
Shipping data**		
Weight	net, kg	263
Shipping volume	m ³	1.37
Accessories		
Steel base		x
Hose kits for water or steam		x
Fluff collector		x
Dimensions in mm		
A	Width	910
B	Depth	820
C	Height	1345
D1		440
D2		515
E		1310
F		1050
G		80
H		1245
I		375
J		295
K		1225
L		1125
M		360
N		105
O		305
P		295
Q		210
1	Operating panel	7 Re-used water
2	Door opening ø 395 mm	8 Drain valve
3	Detergent box	9 Liquid detergent supply
4	Cold water	10 Electrical connection
5	Hot water	11 Steam connection
6	Cold/Hot water	

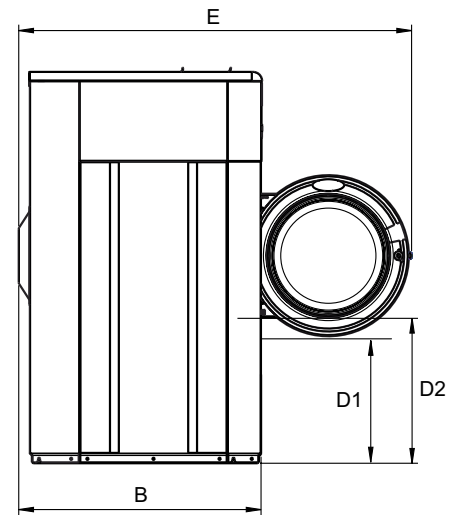
Front and side panels in silver grey and dark blue (color samples can be ordered on part number 472998313).

* Sound power levels measured according to ISO 60704.

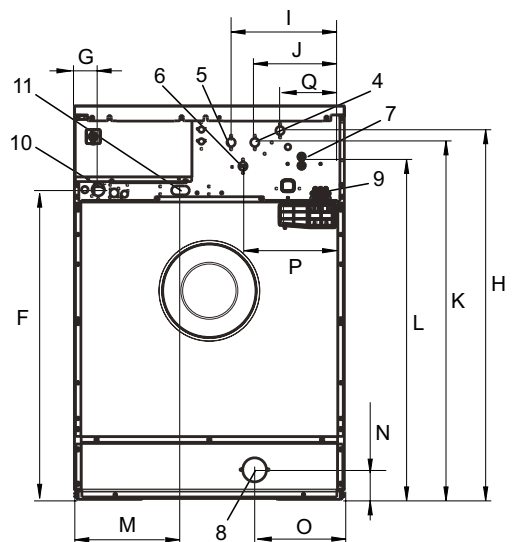
** Average data. Crated weight/shipping volume depends on configuration. Please contact logistics for exact measures.



Front



Side view



Rear